



深圳市高信技术有限公司

Shenzhen G&X Technology Co., Ltd

SPECIFICATION FOR LCD MODULE

Customer : _____
CustomerP/N _____
Model No. : GX040R-30MB-A1
Version : V00
Date : 2022-08-15

Final Approval by Customer

Approved by	Notes

ShenZhen BELIJ Confirmed :

Prepared by	Checked by	Approved by



深圳市高信技术有限公司

Shenzhen G&X Technology Co., Ltd

LIST OF CONTENTS

No.	CONTENTS	PAGE
1	REVISION HISTORY	
2	GENERAL INFORMATION	
3	ABSOLUTE MAXIMUM RATINGS	
4	ELECTRICAL CHARACTERISTICS	
5	TIMING CHARACTERISTICS	
6	BACKLIGHT CHARACTERISTICS	
7	EXTERNAL DIMENSIONS	
8	INTERFACE SIGNALS	
9	ELECTRO-OPTICAL CHARACTERISTICS	
10	RELIABILITY TEST CONDITIONS	
11	INSPECTION CRITERION	
12	PRECAUTINGS FOR USING LCD MODULES	



深圳市高信技术有限公司

Shenzhen G&X Technology Co., Ltd

2 GENERAL INFORMATION

Item	Specification	Unit
LCD size 液晶面板尺寸	4.0	inch
Display Mode 显示模式	Normally Black	--
Resolution 分辨率	720(RGB)x720	Pixel
Pixel pitch 像素尺寸	0.047 (H) x 0.141 (V)	mm
Pixel Arrangement 像素排列	RGB Stripe	
Viewing direction 视角	Free	-
Module outline dimension	105.6 (H)*109.87 (V)*2.1(D)	mm
LCD AA 液晶显示区域	101.52 (H)* 101.52 (V)	mm
TP VA 触摸可视区域	/ (H)* / (V)	mm
Driver IC 驱动芯片	JD9365DA	-
Interface 接口类型	MIPI	--
Backlight 背光类型	White LED	--
Touch IC 触摸芯片	/	--
Surface hardness 表面硬度	/	--
支持点数	/	--
Touch structure 触摸结构	/	--
Cover lens 盖板	/	--
Colors 颜色	/	--
Operating Temperature 工作温度	-20℃~ +70℃	--
Storage Temperature 存储温度	-25℃~ +75℃	--
环保要求	ROHS	--



深圳市高信技术有限公司 Shenzhen G&X Technology Co., Ltd

3 ABSOLUTE MAXIMUM RATINGS

AGND = GND = 0V, Ta = 25°C

Parameter	Symbol	Min.	Max.	Unit.	Note
Power Supply voltage 1	VDD~GND	-0.3	+3.6	V	
Power Supply voltage 2	VDDI~GND	-0.3	+3.6	V	
Operating temperature	Topr	-20	+70	°C	
Storage temperature	Tstg	-25	+75	°C	

* The absolute maximum rating values of this product are not allowed to be exceeded at any times. Should a module be used with any of the absolute maximum ratings exceeded, the characteristics of the module may not be recovered, or in an extreme case, the module may be permanently destroyed.

4 ELECTRICAL CHARACTERISTICS

DC CHARACTERISTICS

Parameter	Symbol	Min.	Typ.	Max.	Unit
Supply voltage for analog	VDD	2.5	2.8	3.6	V
Supply voltage for I/O interface	VDDI	1.65	1.8	3.6	V
Input voltage 'H'level	V _{IH}	0.7*VDDI	—	VDDI	V
Input voltage 'L'level	V _{IL}	0	—	0.3*VDDI	V
Output voltage 'H'level	V _{OH}	0.8*VDDI	—	VDDI	V
Output voltage 'L'level	V _{OL}	0	—	0.2*VDDI	V

5 TIMING CHARACTERISTICS

5.1 High speed data transmission

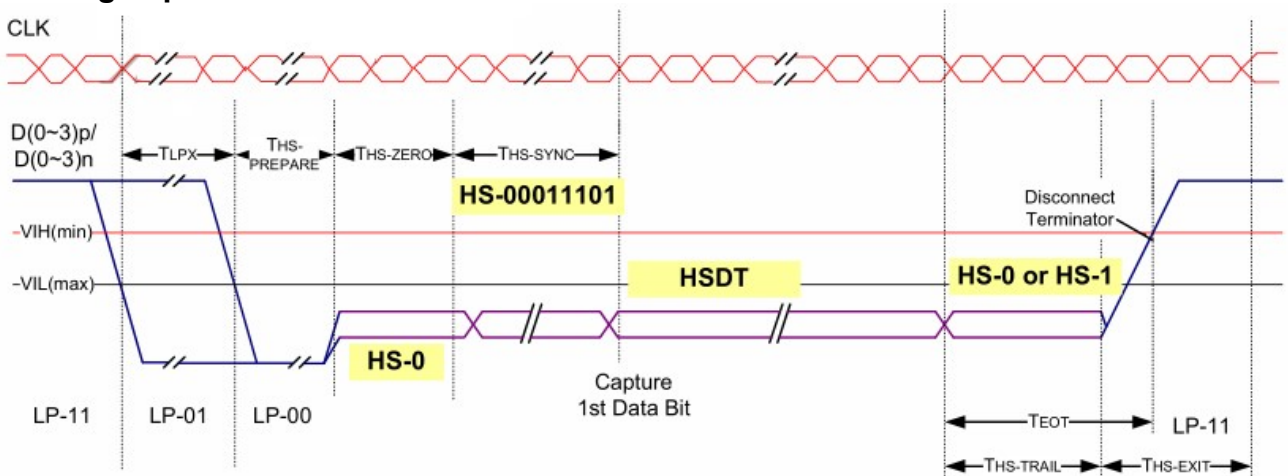


Figure 5.1.1 High speed data transmission timing sequence



深圳市高信技术有限公司

Shenzhen G&X Technology Co., Ltd

Parameter	Description	Min.	Typ.	Max.	Unit
$T_{HS-PREPARE}$	Time that the transmitter drives the Data Lane LP-00 Line state immediately before the HS-0 Line state starting the HS transmission.	$40+4*UI$	-	$85+6*UI$	ns
$T_{HS-PREPARE}+T_{HS-ZERO}$	$T_{HS-PREPARE}$ + time that the transmitter drives the HS-0 state prior to transmitting the Sync sequence.	$145+10*UI$	-	-	ns
T_{EOT}	Transmitted time interval from the start of THS-TRAIL or TCLK-TRAIL, to the start of the LP-11 state following a HS burst.	-	-	$105ns+12*UI$	ns
$T_{HS-TRAIL}$	Time that the transmitter drives the flipped differential state after last payload data bit of a HS transmission burst.	$60ns+4*UI$	-	-	ns
$T_{HS-EXIT}$	Time that the transmitter drives LP-11 following a HS burst.	100	-	-	ns

Table 5.1.1 Global Operation Timing Parameters for Data Lane

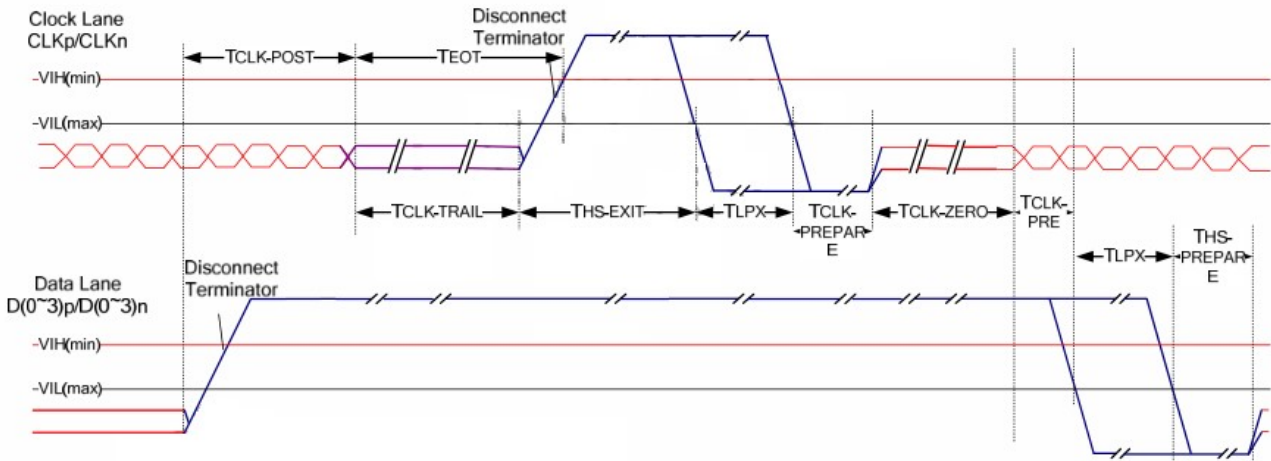


Figure 5.1.2 Switching the Clock Lane between Clock Transmission and LP Mode



深圳市高信技术有限公司

Shenzhen G&X Technology Co., Ltd

Parameter	Description	Min.	Typ.	Max.	Unit
$T_{CLK-POST}$	Time that the transmitter continues to send HS clock after the last associated Data Lane has transitioned to LP Mode.	$60+52*UI$	-	-	ns
$T_{CLK-TRAIL}$	Time that the transmitter drives the flipped differential state after last payload data bit of a HS transmission burst.	60	-	-	ns
$T_{CLK-PREPARE}$	Time that the HS clock shall be driven by the transmitter prior to any associated Data Lane beginning the transition from LP to HS mode.	38	-	95	ns
$T_{CLK-PREPARE} + T_{CLK-ZERO}$	$T_{CLK-PREPARE}$ + time that the transmitter drives the HS-0 state prior to starting the Clock.	300	-	-	ns
$T_{CLK-PRE}$	Time that the HS clock shall be driven by the transmitter prior to any associated Data Lane beginning the transition from LP to HS mode.	$8*UI$	-	-	ns

Table 5.1.2 Global Operation Timing Parameters for Clock Lane

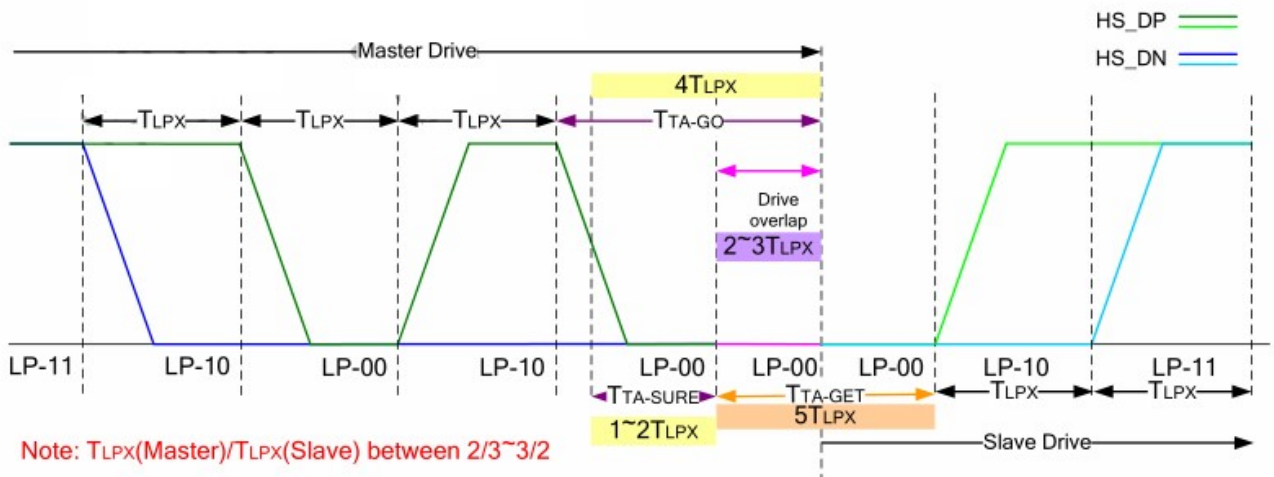


Figure 5.1.3 Turnaround timing sequence

5.2 High speed data-clock timing

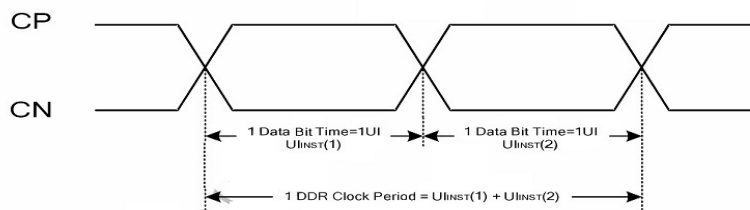


Figure 5.2.1 DDR clock definition



深圳市高信技术有限公司 Shenzhen G&X Technology Co., Ltd

Parameter	Symbol	Spec.			Unit	Note
		Min.	Typ.	Max.		
UI instantaneous	UI_{INST}	-	-	12.5	ns	(1), (2), (3)

Note: (1) This value corresponds to a minimum 80 Mbps data rate.

(2) The minimum UI shall not be violated for any single bit period, i.e., any DDR half cycle within a data burst.

(3) Maximum total bit rate is 2.2 Gbps of 4 data lanes 24-bit data format/ 1.5Gbps of 4 data lane 18-bit data format/ 1.33Gbps of 4 data lane 16-bit data format.

Table 5.2 Reverse HS data transmission timing parameters

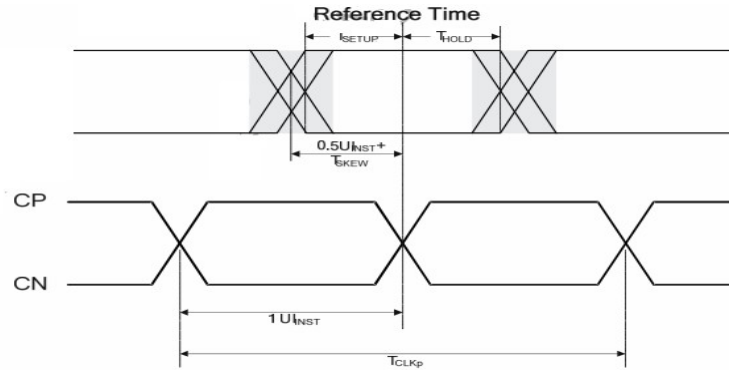


Figure 5.2.2 Data to clock timing definitions

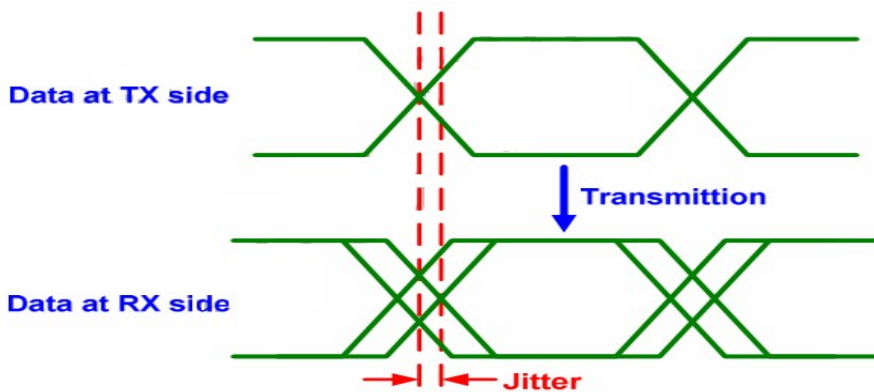
5.3 Data-clock timing specifications

Parameter	Symbol	Spec.			Unit	Note
		Min.	Typ.	Max.		
Data to Clock Setup Time [Receiver]	$T_{SETUP}[RX]$	0.15	-	-	ns	(1)
Clock to Data Hold Time [Receiver]	$T_{HOLD}[RX]$	0.15	-	-	ns	(1)

Note: (1) Total setup and hold window for receiver of $0.3 * UI_{INST}$.

(2) 0.15UI is only for reference, related to the signal jitter caused by the transmission path, this spec need to check on panel performance to fine tune.

Table 5.3 Data to clock timing specifications





深圳市高信技术有限公司 Shenzhen G&X Technology Co., Ltd

Figure 5.3 Skew window of transmitter and receiver

5.4 VDD VDDI Input power sequence

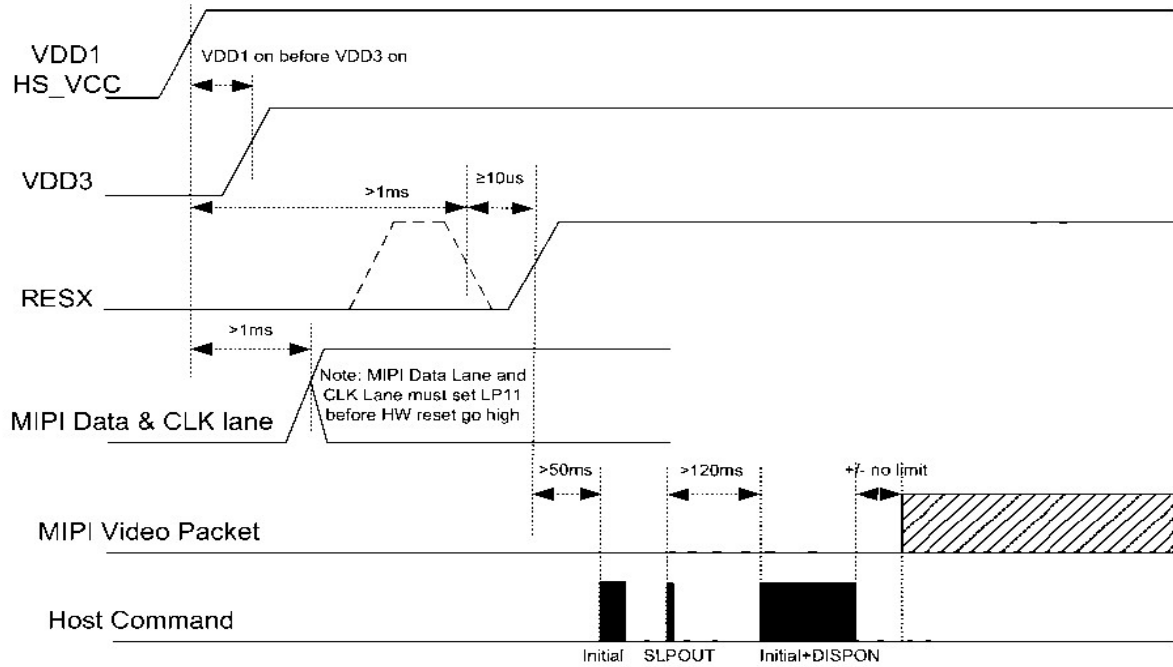


Figure 5.4.1 VDD/VDDI input power on sequence

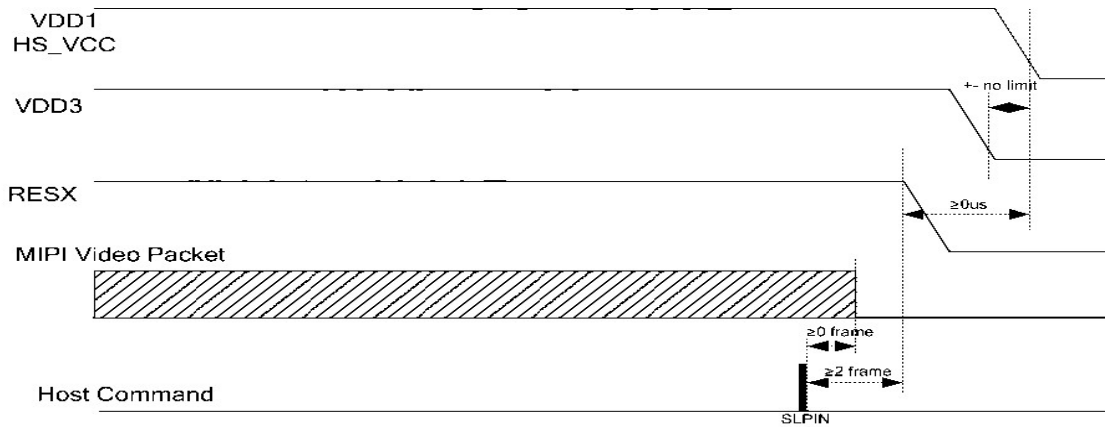
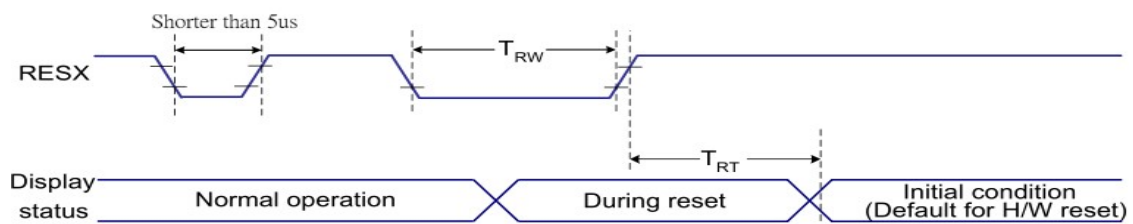


Figure 5.4.2 VDD/VDDI input power off sequence

5.5 Reset Timing



:



深圳市高信技术有限公司

Shenzhen G&X Technology Co., Ltd

VDDI=1.8, VDD=2.8, AGND=DGND=0V, Ta=25 °C

Related Pins	Symbol	Parameter	MIN	MAX	Unit
RESX	TRW	Reset pulse duration	10	-	us
	TRT	Reset cancel	-	5 (Note 1, 5)	ms
				120(Note 1, 6, 7)	ms

Notes:

- The reset cancel includes also required time for loading ID bytes, VCOM setting and other settings from NVM (or similar device) to registers. This loading is done every time when there is HW reset cancel time (tRT) within 5 ms after a rising edge of RESX.
- Spike due to an electrostatic discharge on RESX line does not cause irregular system reset according to the table below:

RESX Pulse	Action
Shorter than 5us	Reset Rejected
Longer than 9us	Reset
Between 5us and 9us	Reset starts

- During the Resetting period, the display will be blanked (The display is entering blanking sequence, which maximum time is 120 ms, when Reset Starts in Sleep Out –mode. The display remains the blank state in Sleep In –mode.) and then return to Default condition for Hardware Reset.
- Spike Rejection also applies during a valid reset pulse as shown below:

6 BACKLIGHT CHARACTERISTICS

Item	Symbol	Min	Typ	Max	Unit	Condition
Forward voltage	Vf	--	18	--	V	If=40 mA
BL Luminance	LV	6500	7000	—	cd/m ²	
Number of LED	-	3X2			Piece	-
Connection mode	S/P	5Serial/2Parallel			-	-

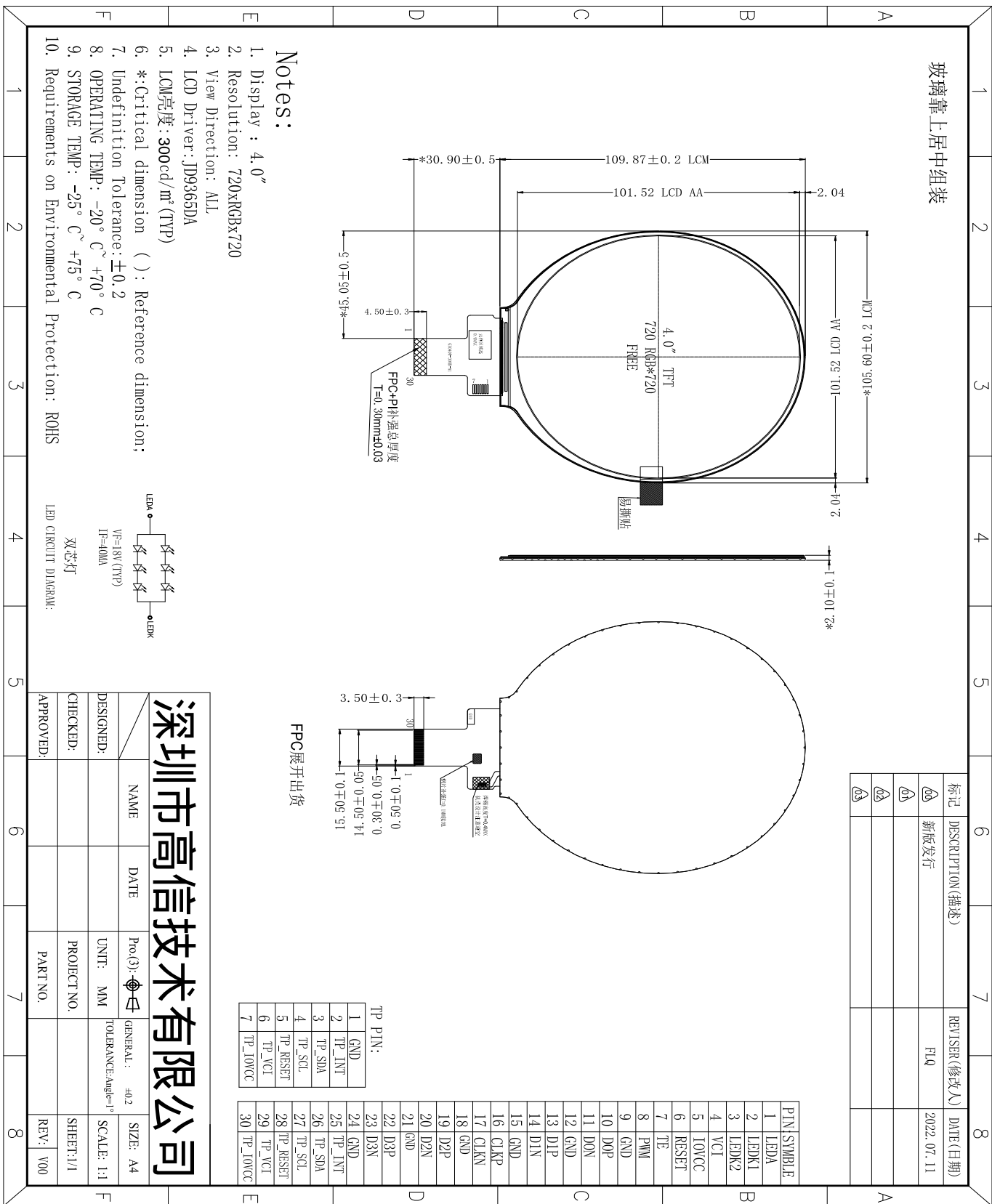
Using condition: constant current driving method If= 20×2mA (+/-10%)



深圳市高信技术有限公司

Shenzhen G&X Technology Co., Ltd

7-EXTERNAL DIMENSIONS





深圳市高信技术有限公司

Shenzhen G&X Technology Co., Ltd

8 INTERFACE SIGNAL

Pin No.	Symbol	Description
1	LEDA	LED backlight anode
2	LEDK	LED backlight cathode
3	LEDK	LED backlight cathode
4	VCI	Power supply for the analog power
5	IOVCC	Power supply for the logic power and I/O circuit
6	RST	Reset signal(low active)
7	TE	Tearing effect output
8	PWM	The PWM frequency output for LCD driver control.
9	GND	Power ground
10	TDP0	MIPI-DSI data lane 0 negative input pin
11	TDN0	MIPI-DSI data lane 0 positive input pin
12	GND	Power ground
13	TDP1	MIPI-DSI data lane 1 positive input pin
14	TDN1	MIPI-DSI data lane 1 negative input pin
15	GND	Power ground
16	TCP	MIPI-DSI data lane positive input pin
17	TCN	MIPI-DSI data lane negative input pin
18	GND	Power ground
19	TDP2	MIPI-DSI data lane 2 negative input pin
20	TDN2	MIPI-DSI data lane 2 positive input pin
21	GND	Power ground
22	TDP3	MIPI-DSI data lane 3 negative input pin
23	TDN3	MIPI-DSI data lane 3 positive input pin
24	GND	Power ground
25	TP_INT	INT pin for CTP
26	TP_SDA	SDA pin for CTP
27	TP_SCL	SCL pin for CTP
28	TP_RESET	Reset pin for TP
29	TP_VCI	VCI pin for CTP
30	TP_IOVCC	IOVCC pin for CTP



深圳市高信技术有限公司

Shenzhen G&X Technology Co., Ltd

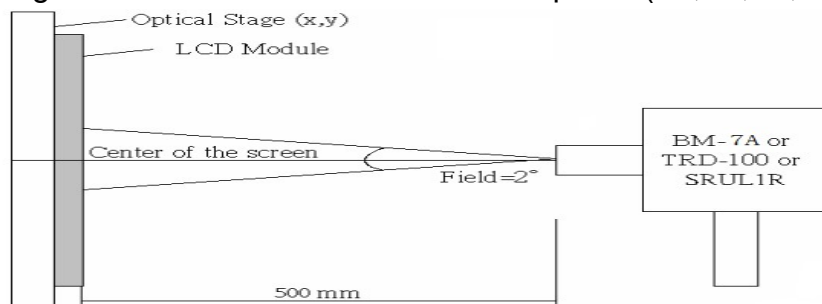
9 ELECTRO-OPTICAL CHARACTERISTICS

Item	Symbol	Condition	Min	Typ	Max	Unit	Note	
Transmittance (w/o DBEF)	T%	$\theta=0^\circ$ $T_a=25^\circ\text{C}$	4.55	5.36	-	%	1	
Contrast ratio	Cr		1000	1200	-	-	3	
Response time	Ton+Toff		-	30	35	ms	4	
Luminance (LCM)	LV		-	-	-	cd/m ²	2	
Viewing angle range	H or V er	Θ_{x+}		85	-	deg	5	
		Θ_{x-}		85	-	deg		
		Θ_{y+}		85	-	deg		
		Θ_{y-}		85	-	deg		
CIE(x,y) chromaticity	Red	x	Viewing normal angle $\Theta_x=\theta_y=0^\circ$ $T_a=25^\circ\text{C}$				-	6
		y					-	
	Green	x					-	
		y					-	
	Blue	x					-	
		y					-	
	White	x					-	
		y					-	

Note 1. Ambient condition: $25^\circ\text{C} \pm 2^\circ\text{C}$, $60 \pm 10\% \text{RH}$, under 10 Lux in the darkroom.

Note 2. Measure device: BM-7A (TOPCON), viewing cone= 2°

Lv = Average Surface Luminance with all white pixels (P1,P2,P3,P4,P5)



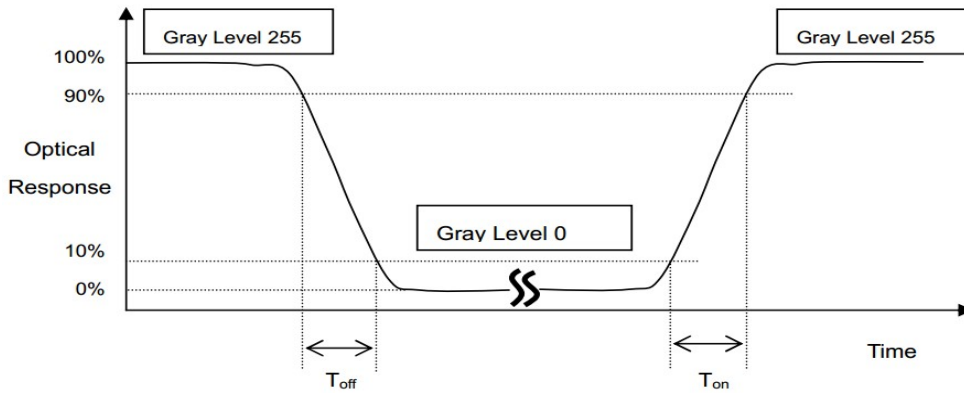
Note 3. Definition of Contrast Ratio:

$$CR = \frac{\text{Average Surface Luminance with all black pixels (P1,P2,P3,P4,P5)}}{\text{Average Surface Luminance with all white pixels (P1,P2,P3,P4,P5)}}$$

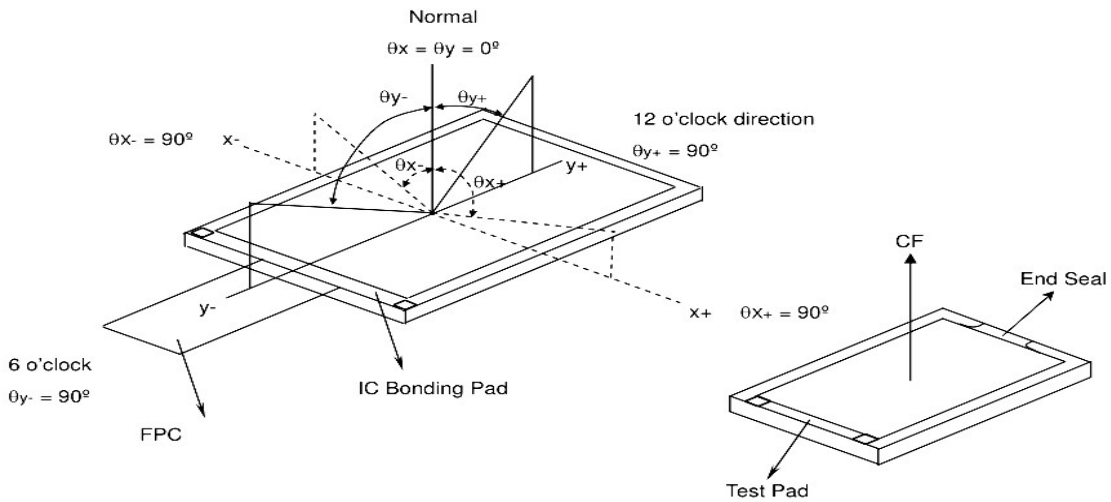


深圳市高信技术有限公司 Shenzhen G&X Technology Co., Ltd

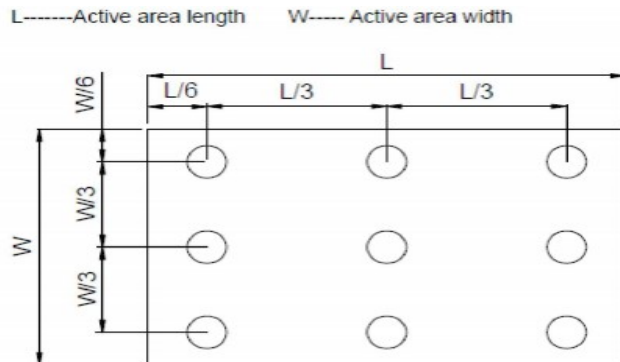
Note 4. Definition of Response Time (T_{on} , T_{off}), The response time is defined as the time interval between the 10% and 90% amplitudes.



Note 5. Definition of view angle(θ , ψ):



Note 6. The LCD module should be stabilized at a given temperature for 20 minutes to avoid abrupt temperature change during measuring. In order to stabilize the luminance, the measurement should be executed after lighting Backlight for 20 minutes in a windless room. Measuring method for Contrast ratio, surface luminance, Luminance uniformity, CIE(x,y) chromaticity.



Light spot size $\varnothing=7\text{mm}$, 500mm distance from the LCD surface to detector lens measurement instrument is TOPCON's luminance meter BM-7A



深圳市高信技术有限公司

Shenzhen G&X Technology Co., Ltd

10 RELIABILITY TEST

Reliability test conditions (Polarizer characteristics null)

No.	Items	Condition	Inspection after test
1	High Temperature Storage	T = 75°C for 96 hr	Inspection after 4 hours storage at room temperature, the sample shall be free from defects: 1. Air bubble in the LCD 2. Seal leak; 3. Non-display; 4. missing segments; 5. Glass crack; 6. Current Idd is twice higher than initial value.
2	Low Temperature Storage	T = -25°C for 96 hr	
3	High Temperature Operating	T = 70°C for 48 hr	
4	Low Temperature Operating	T = -20°C for 48 hr (But no condensation of dew)	
5	High Temp. and High Humidity Storage	T = 60°C/90% for 96 hr (But no condensation dew)	
6	Thermal Shock	-20±2°C~25~60±2°C×10cycles (30min.) (5min.) (30min.)	
7	Dropping test (non-operation)	Drop to the ground from 76cm height, one time, every side of carton. (Packing condition)	
8	Packing Vibration (non-operation)	Frequency: 10Hz~55Hz~10Hz Amplitude: 1.0mm, X, Y, Z direction for total 3hours (Packing condition)	
9	ESD	Contact discharge method ±2KV 150pF /330Ω 10times Air discharge method ±6KV 150pF /330Ω 10times	

Note:

- (1) The test samples should be applied to only one test item.
- (2) Sample size for each test item is 5~10pcs.
- (3) In case of malfunction defect caused by ESD damage, if it would be recovered to normal state after resetting, it would be judge as a good part.
Using ionizer (an antistatic blower) is recommended at working area in order to reduce electro-static voltage.
When removing protection film from LCM panel, peel off the tag slowly (recommended more than one second) while blowing with ionizer toward the peeling face to minimize ESD which may damage electrical circuit.
- (4) Please use automatic switch testing mode when test operating mode.



深圳市高信技术有限公司

Shenzhen G&X Technology Co., Ltd

11 INSPECTION CRITERION

This specification is made to be used as the standard acceptance/rejection criteria for Normal LCM Product.

1 Sample plan

Sampling plan according to GB/T2828.1-2003/ISO 2859-1: 1999 and ANSI/ASQC Z1.4-1993, normal level 2 and based on:

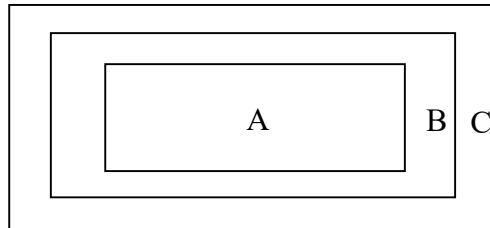
Major defect: AQL 0.65

Minor defect: AQL 1.0

2. Inspection condition

Viewing distance for cosmetic inspection is about 30cm with bare eyes, and under an environment of 20~40W light intensity, all directions for inspecting the sample should be within 45° against perpendicular line. (Normal temperature 20~25°C and normal humidity 60±15%RH).

3. Definition of inspection zone in LCD.



Zone A: character/Digit area

Zone B: viewing area except Zone A (Zone A + Zone B=minimum Viewing area)

Zone C: Outside viewing area (invisible area after assembly in customer's product)

Fig.1 Inspection zones in an LCD.

Note: As a general rule, visual defects in Zone C are permissible, when it is no trouble for quality and assembly of customer's product.

4. Standards of inspection items

4.1 Major Defect

Item No	Items to be inspected	Inspection Standard	Classification of defects
4.1.1	All functional defects	1.No display	Major
		2.Display abnormally	
		3.Missing vertical, horizontal segment	
		4.Short circuit	
4.1.2	Missing	Missing component	
4.1.3	Outline dimension	Overall outline dimension beyond the drawing is not allowed.	



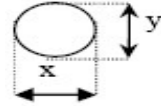
深圳市高信技术有限公司

Shenzhen G&X Technology Co., Ltd

4.1.4	linearity	No more than 1.5%	
-------	-----------	-------------------	--

4.2 Cosmetic Defect

Item No	Items to be inspected	Inspection Standard			Classification of defects	
4.2.1	Clear Spots Black and white Spot defect Pinhole, Foreign Particle, polarizer Dirt	For dark/white spot, size Φ is defined as $\Phi = (x + y)/2$			Minor	
		1				
		Zone		Acceptable Qty		
		Size(mm)	A	B		C
		$\Phi < 0.10$	Ignore			Ignore
		$0.10 \leq \Phi \leq 0.15$	2			
		$0.15 < \Phi \leq 0.20$	1			
	$\Phi > 0.20$	0				
	Clear Spots TP Dirt	2			Minor	
		Zone		Acceptable Qty		
		Size(mm)	A	B		C
		$\Phi < 0.10$	Ignore			Ignore
		$0.10 \leq \Phi \leq 0.15$	2			
		$0.15 < \Phi \leq 0.20$	1			
	$\Phi > 0.20$	0				
	Dim Spots Circle shaped and dim edged defects	3			Minor	
		Zone		Acceptable Qty		
		Size(mm)	A	B		C
$\Phi \leq 0.2$		Ignore		Ignore		
$0.20 < \Phi \leq 0.40$		2				
$0.40 < \Phi \leq 0.60$		1				
$\Phi > 0.60$	0					





深圳市高信技术有限公司

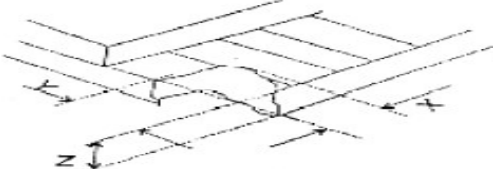
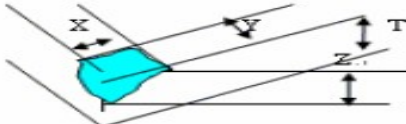
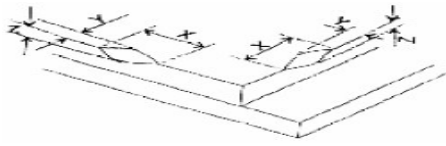
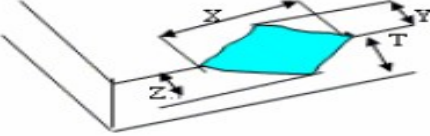
Shenzhen G&X Technology Co., Ltd

Item No	Items to be inspected	Inspection Standard				Classification of defects	
4.2.2	Line defect Black line, White line, Foreign material on polarizer	Size(mm)		Acceptable Qty		Minor	
		L(Length)	W(Width)	Zone			
				A	B		C
		Ignore	$W \leq 0.05$	Ignore			Ignore
		$L \leq 5.0$	$0.05 < W \leq 0.08$	2			
		$W > 0.08$	0				
4.2.2	Foreign material on TP film	The line can be seen after mobile phone in the operating condition:				Minor	
		Size(mm)		Acceptable Qty			
		L(Length)	W(Width)	Zone			
				A	B		C
		Ignore	$W \leq 0.05$	Ignore			Ignore
		$L \leq 5.0$	$0.05 < W \leq 0.08$	3			
	$W > 0.08$	0					
4.2.3	Dim line defect Polarizer scratch TP film scratch	If the scratch can be seen after mobile phone cover assembling or in the operating condition, judge by the line defect of 4.2.2. If the scratch can be seen only in non-operating condition or some special angle, judge by the following.				Minor	
		Size(mm)		Acceptable Qty			
		L(Length)	W(Width)	Zone			
				A	B		C
		Ignore	$W \leq 0.03$	Ignore			Ignore
		$5.0 < L \leq 10.0$	$0.03 < W \leq 0.05$	2			
		$L \leq 5.0$	$0.05 < W \leq 0.08$	1			
	$W > 0.08$	0					
4.2.4	Polarize Air bubble	Air bubbles between glass & polarizer				Minor	
		Size(mm)	Zone		Acceptable Qty		
			A	B	C		
		$\phi \leq 0.20$	Ignore		Ignore		
		$0.20 < \phi \leq 0.3$	2		Ignore		
$\phi > 0.30$	0		Ignore				



深圳市高信技术有限公司

Shenzhen G&X Technology Co., Ltd

Item No	Items to be inspected	Inspection Standard			Classification of defects
4.35	Glass defect	(i) Chips on corner A:LCD Glass defect			Minor
					
		X(mm)	Y(mm)	Z(mm)	
		≤3.0	≤3.0	Disregard	
		Notes: S=contact pad length Chips on the corner of terminal shall not be allowed to extend into the ITO pad or expose perimeter seal. B:TP Glass defect			
					
		X(mm)	Y(mm)	Z(mm)	
		≤3.0	≤3.0	Disregard	
		(ii) Usual surface cracks A:LCD Glass defect			
					
		X(mm)	Y(mm)	Z(mm)	
		≤3.0	<Inner border line of the seal	Disregard	
B:TP Glass defect					
					
X(mm)	Y(mm)	Z(mm)			
≤6.0	<2.0	Disregard			



深圳市高信技术有限公司

Shenzhen G&X Technology Co., Ltd

12 PRECAUTIONS FOR USE OF LCD MODULES

1. Handling Precautions

- (1) The display panel is made of glass and polarizer. As glass is fragile. It tends to become or chipped during handling especially on the edges. Please avoid dropping or jarring. Do not subject it to a mechanical shock by dropping it or impact.
- (2) If the display panel is damaged and the liquid crystal substance leaks out, be sure not to get any in your mouth. If the substance contacts your skin or clothes, wash it off using soap and water.
- (3) Do not apply excessive force to the display surface or the adjoining areas since this may cause the color tone to vary. Do not touch the display with bare hands. This will stain the display area and degraded insulation between terminals (some cosmetics are determined to the polarizer).
- (4) The polarizer covering the display surface of the LCD module is soft and easily scratched. Handle this polarizer carefully. Do not touch, push or rub the exposed polarizers with anything harder than an HB pencil lead (glass, tweezers, etc.). Do not put or attach anything on the display area to avoid leaving marks on. Condensation on the surface and contact with terminals due to cold will damage, stain or dirty the polarizer. After products are tested at low temperature they must be warmed up in a container before coming is contacting with room temperature air.
- (5) If the display surface becomes contaminated, breathe on the surface and gently wipe it with a soft dry cloth. If it is heavily contaminated, moisten cloth with one of the following solvents
 - Isopropyl alcohol
 - Ethyl alcoholDo not scrub hard to avoid damaging the display surface.
- (6) Solvents other than those above-mentioned may damage the polarizer. Especially, do not use the following.
 - Water
 - Ketone
 - Aromatic solventsWipe off saliva or water drops immediately, contact with water over a long period of time may cause deformation or color fading. Avoid contacting oil and fats.
- (7) Exercise care to minimize corrosion of the electrode. Corrosion of the electrodes is accelerated by water droplets, moisture condensation or a current flow in a high-humidity environment.
- (8) Install the LCD Module by using the mounting holes. When mounting the LCD module make sure it is free of twisting, warping and distortion. In particular, do not forcibly pull or bend the I/O cable or the backlight cable.
- (9) Do not attempt to disassemble or process the LCD module.
- (10) NC terminal should be open. Do not connect anything.
- (11) If the logic circuit power is off, do not apply the input signals.



深圳市高信技术有限公司

Shenzhen G&X Technology Co., Ltd

(12) Electro-Static Discharge Control, Since this module uses a CMOS LSI, the same careful attention should be paid to electrostatic discharge as for an ordinary CMOS IC. To prevent destruction of the elements by static electricity, be careful to maintain an optimum work environment.

- Before remove LCM from its packing case or incorporating it into a set, be sure the module and your body have the same electric potential. Be sure to ground the body when handling the LCD modules.
- Tools required for assembling, such as soldering irons, must be properly grounded. Make certain the AC power source for the soldering iron does not leak. When using an electric screwdriver to attach LCM, the screwdriver should be of ground potentiality to minimize as much as possible any transmission of electromagnetic waves produced sparks coming from the commutator of the motor.
- To reduce the amount of static electricity generated, do not conduct assembling and other work under dry conditions. To reduce the generation of static electricity be careful that the air in the work is not too dried. A relative humidity of 50%-60% is recommended. As far as possible make the electric potential of your work clothes and that of the work bench the ground potential
- The LCD module is coated with a film to protect the display surface. Exercise care when peeling off this protective film since static electricity may be generated

(13) Since LCM has been assembled and adjusted with a high degree of precision, avoid applying excessive shocks to the module or making any alterations or modifications to it.

- Do not alter, modify or change the shape of the tab on the metal frame.
- Do not make extra holes on the printed circuit board, modify its shape or change the positions of components to be attached.
- Do not damage or modify the pattern writing on the printed circuit board.
- Absolutely do not modify the zebra rubber strip (conductive rubber) or heat seal connector.
- Except for soldering the interface, do not make any alterations or modifications with a soldering iron.
- Do not drop, bend or twist LCM.

2. Storage precautions

2.1 When storing the LCD modules, avoid exposure to direct sunlight or to the light of fluorescent lamps.

2.2 The LCD modules should be stored under the storage temperature range. If the LCD modules will be stored for a long time, the recommend condition is:

Temperature : 0°C ~ 40°C Relatively humidity: ≤80%

2.3 The LCD modules should be stored in the room without acid, alkali and harmful gas.

2.4 The LCD modules should be no falling and violent shocking during transportation, and also should avoid excessive press, water, damp and sunshine.

----- END